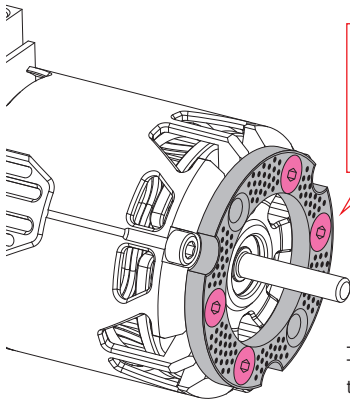


Motor mount spacer

Mounting method

- ① Two part of select screw holes to be fixed to the motor mount.
 - ② Fix to use 4pcs of accessory screws to other holes.
 - ③ Attach this motor with spacer to the motor mount.
- ※Prepare two screws including the thickness of the spacer (3mm).



Use the four screws other than the screw holes to fix the motor mount, and fix the motor and spacer with the attached screws

Note

Tighten the screw to the end so that the screw fixing the spacer does not protrude from the surface that comes into contact with the motor mount.

ACUVANCE CORPORATION Technical Service Dept.

7F, Shin-Osaka Marubiru Annex, 1-18-22,
Higashinakajima, Higashiyodogawa-ku, Osaka, 533-0033, JAPAN
e-mail : support@acuvance.co.jp
acuvance.co.jp/english